

## INTRODUCTION

### PRODUCT FEATURES

- **High precision:** self-developed high-efficiency filter bags, suitable for filtering a variety of materials
- **Low loss:** large flow + high precision, saving consumables costs
- **Easy to operate:** simple structure, one person can operate and maintain
- **Easy to select materials:** general stainless steel material, suitable for a variety of liquid filtration scenarios

- [Material]: 304 stainless steel, 316L stainless steel
- [Design Pressure]: 1.0 Mpa
- [Bag Type]: 1#, 2#, 3#, 4#, 5#
- [Surface Finish]: Mechanical polishing, Sandblasting
- [Entry type]: Side Entry, Top Entry
- [In&outlet Conect]: Tri-clamp, Thread, Flange
- [Seal Gasket]: Silicone, Viton, PTFE, EPDM
- [Typical applications]: Petrochemical, fine chemical, pharmaceutical chemical, electric power, papermaking, water treatment system, automobile industry, mechanical processing, coating, electronic industry and other industries

### PRODUCT STRUCTURE DIAGRAM

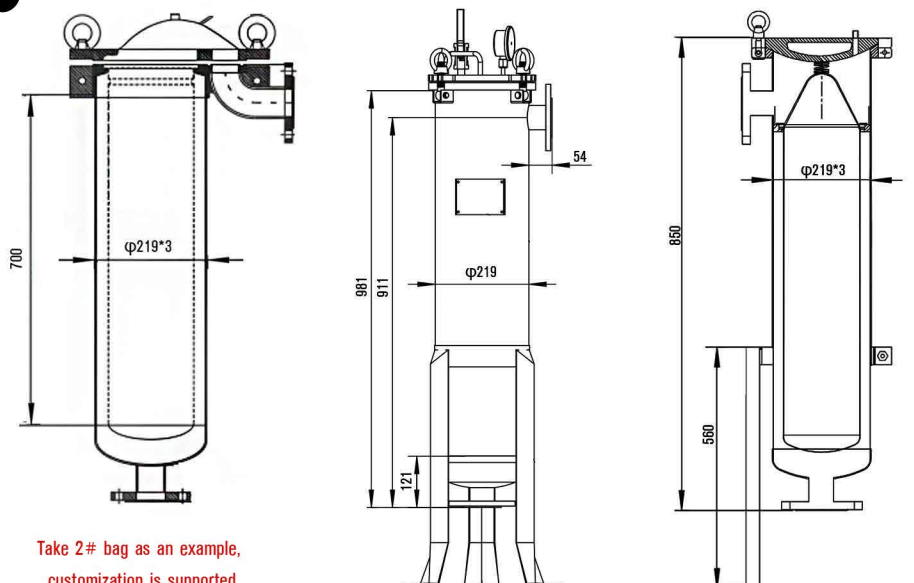


### SINGLE BAG FILTER HOUSING PARAMETERS

Product Type	Device Model	Barrel Diameter	Inlet/Outlet	Flow	Thickness
Flat cover type	INCE-FC-219	φ219	DN50 Flange	20T/H	3.0mm
Concave cover type	INCE-CC-219	φ219	DN50 Flange	20T/H	3.0mm
Turtle back type	INCE-TB-219	φ219	DN50 Flange	20T/H	3.0mm
High voltage type	INCE-HV-219	φ219	DN50 Flange	20T/H	4.0mm
Single core type	INCE-SC-219	φ219	DN50 Flange	20T/H	3.0mm



### DIMENSIONS REFERENCE DIAGRAM



Take 2# bag as an example, customization is supported

### SPECIFICATIONS

FC/CC/TB/HV/SC: Filter housing type  
219: Filter housing diameter

	Number of Filters	Material	Filter bag model	Inlet and Outlet Types	Inlet /Outlet Size	Sealing	Surface Polishing Treatment
FC-219 CC-219 TB-219 HV-219 SC-219	01=1 bag	S=304ss L=316L	01=Bag 1# 02=Bag 2# 03=Bag 3# 04=Bag 4# 05=Bag 5#	K=Tri-clamp F=Flange S=Thread	DN25 DN40 DN50 N16=2"NPT T8=1"BSPT T12=1.5"BSPT	S=Silicone F=FKM E=EPDM	M=Mechanical Polishing (Industrial grade) C=Internal Polishing and External Sandblasting

## INTRODUCTION

### PRODUCT FEATURES

- The design of two to twenty-four bags
- Davit arm design available for opening valve cover quickly
- Made of stable stainless steel, resistant to corrosion from a variety of liquids
- Reliable & stable construction for high flow filter system
- The compact design and volume of the filter housing minimize the loss of liquid
- The side-inlet and bottom-outlet design ensures that the liquid can be completely discharged
- M16-24 high strength lifting ring to ensure tightness

- [Material]: 304 stainless steel, 316L stainless steel
- [Design Pressure]: 1.0 Mpa
- [Operating Temperature]: 130°C
- [Surface Finish]: Mechanical polishing, Sandblasting
- [Entry type]: Side Entry
- [In&outlet Conect]: Tri-clamp, Flange, Thread
- [Seal Gasket]: Silicone, Viton, PTFE, EPDM
- [Typical applications]: Petrochemical, fine chemical, pharmaceutical chemical, electric power, papermaking, water treatment system, automobile industry, mechanical processing, coating, electronic industry and other industries

### PRODUCT STRUCTURE DIAGRAM

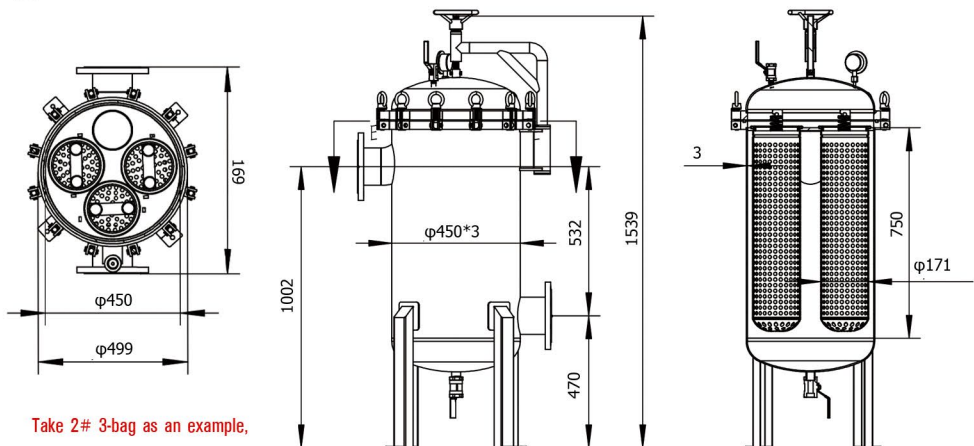


### SINGLE BAG FILTER HOUSING PARAMETERS

Product Type	Device Model	Barrel Diameter	Inlet/Outlet	Flow	Thickness
Multi-bag filter housing	INCE-MB-02	φ400	DN80 Flange	60T/H	3.0mm
	INCE-MB-03	φ450	DN100 Flange	90T/H	3.0mm
	INCE-MB-04	φ500	DN125 Flange	120T/H	3.0mm
	INCE-MB-05	φ550	DN125 Flange	150T/H	3.0mm
	INCE-MB-06	φ600	DN150 Flange	180T/H	3.0mm
	INCE-MB-07	φ700	DN200 Flange	210T/H	3.0mm
	INCE-MB-08	φ800	DN200 Flange	240T/H	3.0mm
	INCE-MB-10	φ900	DN200 Flange	300T/H	4.0mm
	INCE-MB-12	φ950	DN200 Flange	360T/H	4.0mm
	INCE-MB-14	φ1000	DN200 Flange	420T/H	4.0mm
	INCE-MB-16	φ1100	DN200 Flange	480T/H	4.0mm
	INCE-MB-18	φ1100	DN200 Flange	540T/H	4.0mm
	INCE-MB-20	φ1200	DN250 Flange	600T/H	4.0mm
	INCE-MB-22	φ1200	DN250 Flange	660T/H	4.0mm
INCE-MB-24	φ1300	DN250 Flange	720T/H	4.0mm	



### DIMENSIONS REFERENCE DIAGRAM



Take 2# 3-bag as an example, customization is supported

### SPECIFICATIONS

MB: multi-bag filter housing

	Number of Filters	Material	Filter bag model	Inlet and Outlet Types	Inlet/Outlet Size	Sealing	Surface Polishing Treatment
MB	02=2 bags	S=304ss	01=Bag 1#	K=Tri-clamp	DN80	S=Silicone	M=Mechanical Polishing (Industrial grade)
	03=3 bags		02=Bag 2#		DN100		
	04=4 bags	L=316L	03=Bag 3#	F=Flange	DN125	E=EPDM	C=Internal Polishing and External Sandblasting
	05=5 bags		04=Bag 4#		DN150		
	06=6 bags	...	05=Bag 5#	L=Wear Bolt	DN200		
	07=7 bags				DN250		