

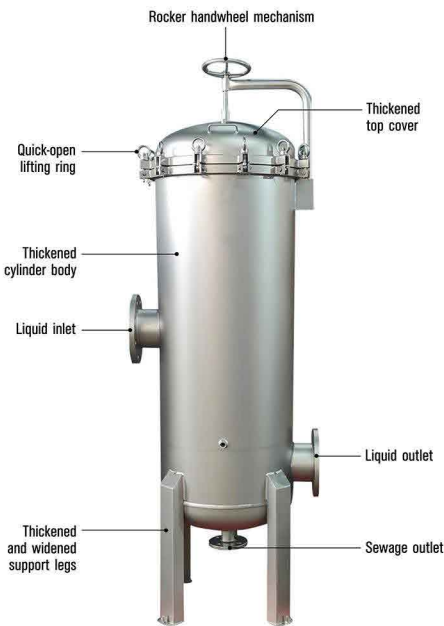
INTRODUCTION

PRODUCT FEATURES

- The design of two to twenty Cartridge
- Single filter cartridge has large flow and small footprint
- The equipment can be vertical or horizontal according to the space
- Good cooperation with various high flow filter cartridges
- Superior mechanical strength with anti-pressure capability
- Positive cartridge sealing for no bypass and water leak
- Less maintenance cost with durable and long service
- Excellent chemical compatibility for corrosive application

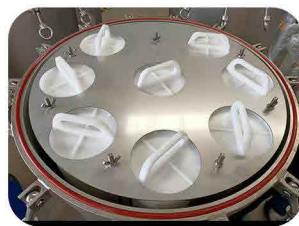
- [Material]: 304 stainless steel, 316L stainless steel
- [Design Pressure]: 1.0 Mpa
- [Operating Temperature:]: 130°C
- [Surface Finish]: Mechanical polishing, Sandblasting
- [Entry type]: Side Entry
- [In&outlet Conect]: Tri-clamp, Flange, Thread
- [Seal Gasket]: Silicone, Viton, PTFE, EPDM
- [Typical applications]: Petrochemical, fine chemical, pharmaceutical chemical, electric power, papermaking, water treatment system, automobile industry, mechanical processing, coating, electronic industry and other industries

PRODUCT STRUCTURE DIAGRAM

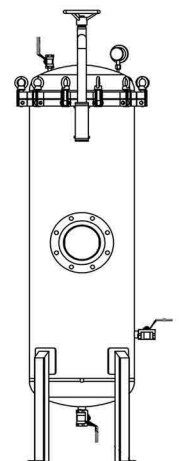
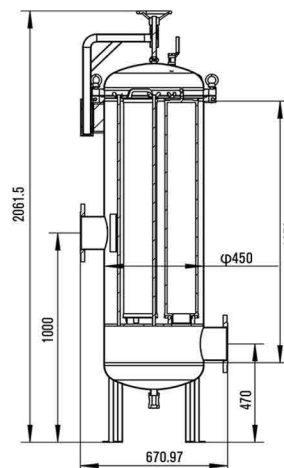
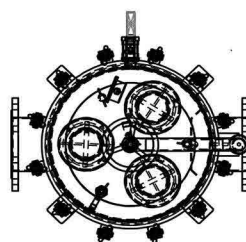


SINGLE BAG FILTER HOUSING PARAMETERS

Product Type	Device Model	Barrel Diameter	Inlet/Outlet	Flow	Thickness
High-flow filter housing (Take 3M filter as an example)	INCE-MC-3M-02	φ 400	DN80 Flange	60T/H	3.0mm
	INCE-MC-3M-03	φ 400	DN100 Flange	90T/H	3.0mm
	INCE-MC-3M-04	φ 500	DN125 Flange	120T/H	3.0mm
	INCE-MC-3M-05	φ 550	DN125 Flange	150T/H	3.0mm
	INCE-MC-3M-06	φ 600	DN150 Flange	180T/H	3.0mm
	INCE-MC-3M-08	φ 700	DN200 Flange	240T/H	3.0mm
	INCE-MC-3M-10	φ 800	DN200 Flange	300T/H	3.0mm
	INCE-MC-3M-12	φ 900	DN200 Flange	360T/H	4.0mm
	INCE-MC-3M-14	φ 950	DN200 Flange	420T/H	4.0mm
	INCE-MC-3M-16	φ 1000	DN200 Flange	480T/H	4.0mm
INCE-MC-3M-18	φ 1100	DN200 Flange	540T/H	4.0mm	
INCE-MC-3M-20	φ 1200	DN200 Flange	600T/H	4.0mm	



DIMENSIONS REFERENCE DIAGRAM



Taking 3M 3-core filter as an example, customization is supported

SPECIFICATIONS

- MC-3M: suitable for 3M filter element
- MC-PALL: suitable for PALL filter element
- MC-PARK: suitable for PARKER filter element

	Filter Cartridge Adaptor	Material	Filter Cartridge Length	Inlet and Outlet Types	Inlet/Outlet Size	Sealing	Surface Polishing Treatment
MC-3M	02=2-core	S=304ss	20=20"	K=Tri-clamp	DN80	S=Silicone	M=Mechanical Polishing (Industrial grade)
MC-PALL	03=3-core	L=316L	40=40"	F=Flange	DN100	F=FKM	C=Internal Polishing and External Sandblasting
MC-PARK	05=4-core		60=60"	S=Thread	DN125	E=EPDM	
	07=5-core				DN150		
	09=6-core				DN200		
	12=8-core						
	...						

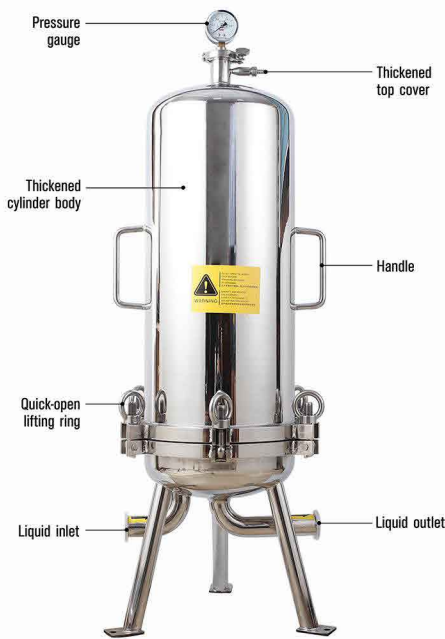
INTRODUCTION

PRODUCT FEATURES

- Polished surface finish making it easy to clean and maintain
- Super filtration efficiency and less chance of blockage
- Meet fast air flow rate for industrial purpose
- Good cooperation with various high flow filter cartridges
- Horizontal material inlet and outlet, easy to install.
- The housing adopts eyebolts, which is easy to disassemble.
- Widely applicable to occasions with strict sanitation requirements

- [Material]: 304 stainless steel, 316L stainless steel
- [Cartridge number]: 1-200pcs, customization is supported
- [Design Pressure]: 1.0 Mpa
- [Operating Temperature]: 130°C
- [Surface Finish]: Mechanical polishing, Sandblasting
- [In&outlet Conect]: Tri-clamp, Flange, Thread
- [Seal Gasket]: Silicone, Viton, PTFE, EPDM
- [Typical applications]: Petrochemical, fine chemical, pharmaceutical chemical, electric power, papermaking, water treatment system, automobile industry, mechanical processing, coating, electronic industry and other industries

PRODUCT STRUCTURE DIAGRAM

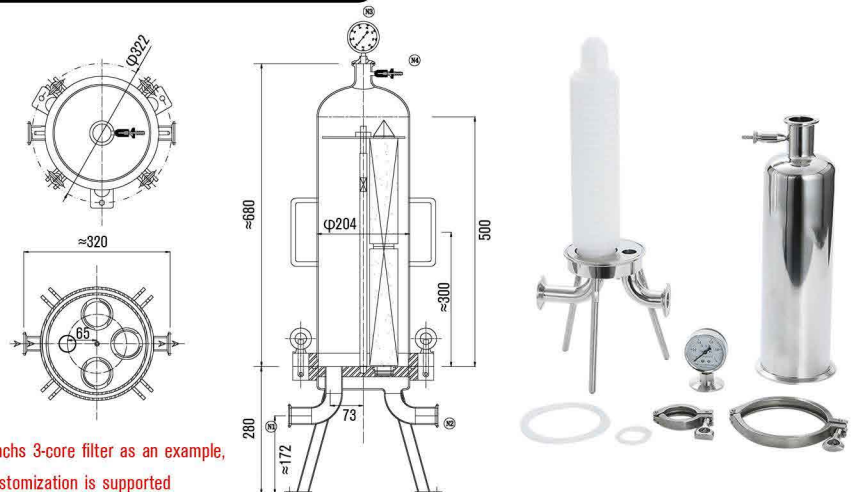


SINGLE BAG FILTER HOUSING PARAMETERS

Product Type	Device Model	Barrel Diameter	Inlet/Outlet	Structure	Thickness
Micron Pleated Filter Housing	INCE-MP-05	φ219	DN50 Flange	Dome/Legs	3.0mm
	INCE-MP-07	φ273	DN50 Flange	Dome/Legs	3.0mm
	INCE-MP-8-10	φ300	DN50 Flange	Dome/Legs	3.0mm
	INCE-MP-11-16	φ350	DN65 Flange	Dome/Legs	3.0mm
	INCE-MP-17-20	φ400	DN80 Flange	Rocker	3.0mm
	INCE-MP-21-25	φ450	DN80 Flange	Rocker	3.0mm
	INCE-MP-26-33	φ500	DN100 Flange	Rocker	3.0mm
	INCE-MP-34-40	φ550	DN100 Flange	Rocker	3.0mm
	INCE-MP-41-50	φ600	DN125 Flange	Rocker	3.0mm
	INCE-MP-51-65	φ700	DN150 Flange	Rocker	3.0mm
	INCE-MP-66-80	φ800	DN150 Flange	Rocker	3.0mm
	INCE-MP-81-85	φ850	DN200 Flange	Rocker	4.0mm
	INCE-MP-86-110	φ900	DN200 Flange	Rocker	4.0mm
	INCE-MP-111-130	φ1000	DN250 Flange	Rocker	4.0mm
	INCE-MP-131-160	φ1100	DN250 Flange	Rocker	4.0mm
	INCE-MP-161-200	φ1200	DN250 Flange	Rocker	4.0mm



DIMENSIONS REFERENCE DIAGRAM



Taking 20inchs 3-core filter as an example, customization is supported

SPECIFICATIONS

MP: micron pleated filter housing

	Filter Cartridge Adaptor	Material	Filter Cartridge Length	Inlet and Outlet Types	Inlet/Outlet Size	Sealing	Surface Polishing Treatment
MP	02=2-core 03=3-core 05=4-core 07=5-core 09=6-core 12=8-core ...	S=304ss L=316L	10=10" 20=20" 30=30" 40=40" ...	K=Tri-clamp F=Flange S=Thread	DN50 DN65 DN80 DN100 DN125 DN150 DN200 DN250	S=Silicone F=FKM E=EPDM	M=Mechanical Polishing (Industrial grade) C=Internal Polishing and External Sandblasting

INTRODUCTION

PRODUCT FEATURES

- **High precision:** self-developed high-efficiency filter bags, suitable for filtering a variety of materials
- **Low loss:** large flow + high precision, saving consumables costs
- **Easy to operate:** simple structure, one person can operate and maintain
- **Easy to select materials:** general stainless steel material, suitable for a variety of liquid filtration scenarios

- [Material]: 304 stainless steel, 316L stainless steel
- [Cartridge number]: 1-200pcs, customization is supported
- [Design Pressure]: 1.0 Mpa
- [Operating Temperature]: 130°C
- [Surface Finish]: Mechanical polishing, Sandblasting
- [In&outlet Conect]: Tri-clamp, Flange, Thread
- [Seal Gasket]: Silicone, Viton, PTFE, EPDM
- [Typical applications]: Petrochemical, fine chemical, pharmaceutical chemical, electric power, papermaking, water treatment system, automobile industry, mechanical processing, coating, electronic industry and other industries

PRODUCT STRUCTURE DIAGRAM



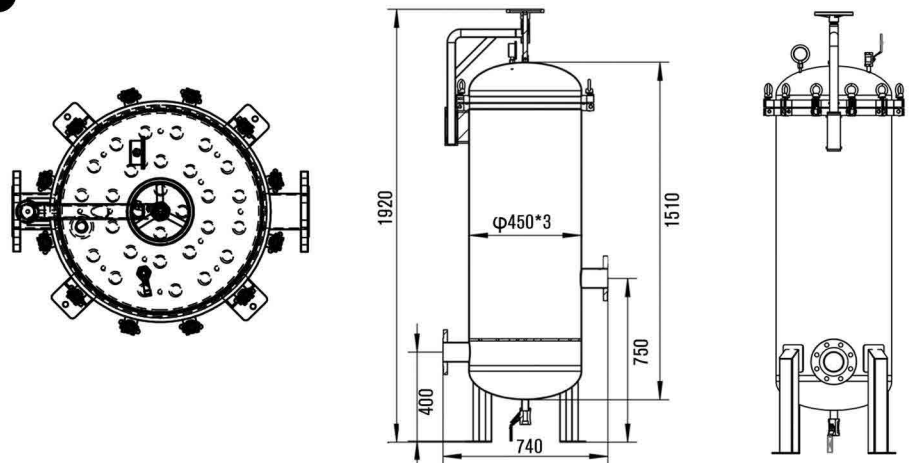
SINGLE BAG FILTER HOUSING PARAMETERS

Product Type	Device Model	Barrel Diameter	Inlet/Outlet	Structure	Thickness
Precision safety Filter Housing	INCE-MC-P-05	φ219	DN50 Flange	Dome/Legs	3.0mm
	INCE-MC-P-07	φ219	DN50 Flange	Dome/Legs	3.0mm
	INCE-MC-P-8-10	φ300	DN50 Flange	Dome/Legs	3.0mm
	INCE-MC-P-11-16	φ350	DN65 Flange	Dome/Legs	3.0mm
	INCE-MC-P-17-20	φ400	DN80 Flange	Rocker	3.0mm
	INCE-MC-P-21-25	φ450	DN80 Flange	Rocker	3.0mm
	INCE-MC-P-26-33	φ500	DN100 Flange	Rocker	3.0mm
	INCE-MC-P-34-40	φ550	DN100 Flange	Rocker	3.0mm
	INCE-MC-P-41-50	φ600	DN125 Flange	Rocker	3.0mm
	INCE-MC-P-51-65	φ700	DN150 Flange	Rocker	3.0mm
	INCE-MC-P-66-80	φ800	DN150 Flange	Rocker	3.0mm
	INCE-MC-P-81-85	φ850	DN200 Flange	Rocker	4.0mm
	INCE-MC-P-86-110	φ900	DN200 Flange	Rocker	4.0mm
	INCE-MC-P-111-130	φ1000	DN250 Flange	Rocker	4.0mm
INCE-MC-P-131-160	φ1100	DN250 Flange	Rocker	4.0mm	
INCE-MC-P-161-200	φ1200	DN250 Flange	Rocker	4.0mm	



Can be matched with a variety of models !

DIMENSIONS REFERENCE DIAGRAM



Taking 40inchs 25-core filter as an example, customization is supported

SPECIFICATIONS MC: multi-core filter housing

MP: micron pleated filter cartridge S: string wound filter cartridge
A: activated carbon filter cartridge P: melt blown filter cartridge

	Filter Cartridge Adaptor	Material	Filter Cartridge Length	Inlet and Outlet Types	Inlet/Outlet Size	Sealing	Surface Polishing Treatment
MC-MP	03=3-core 05=4-core 07=5-core	S=304ss L=316L	10=10" 20=20" 30=30" 40=40"	K=Tri-clamp F=Flange S=Thread	DN50 DN65 DN80 DN100 DN125 DN150 DN200 DN250	S=Silicone F=FKM E=EPDM	M=Mechanical Polishing (Industrial grade) C=Internal Polishing and External Sandblasting
MC-P	09=6-core 12=12-core		...				
MC-S	16=16-core		...				
MC-A				